



NH2XLPV 1500V DC 63A-400A Photovoltaic Fuse 光伏熔断器



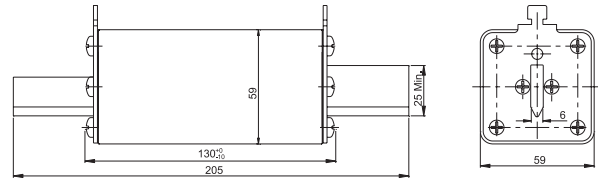
Standard/ 标准: UL 248-19

INTERRUPTING CAPACITY/ 分断能力:
30,000 A at 1500V DC

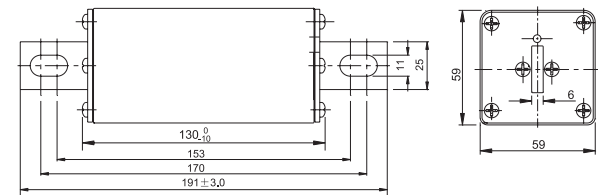
Dimensions/ 尺寸:

Unit 单位: mm

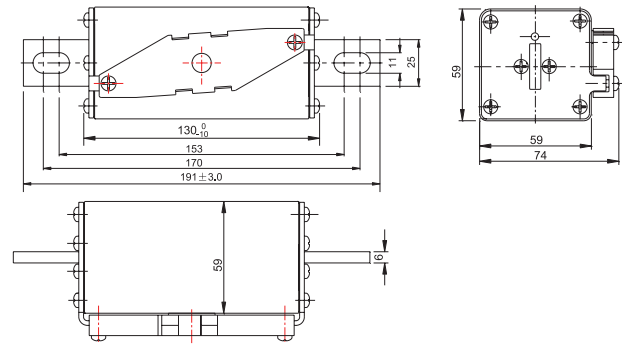
Type:NH2XLPV Part No.: 2XLPV(amp rating)U15A/A2



Type:NH2XLPV-B Part No.: 2XLPV(amp rating)U15B



Type:NH2XLPV-B Part No.: 2XLPV(amp rating)U15BC



TECHNICAL PARAMETERS/ 技术参数:

PART NO. 目录编号	CURRENT RATING 额定电流	SAFETY APPROVALS 安全认证	
		cULus	
2XLPV63U15A/A2	63A	●	●
2XLPV63U15B/BC		●	●
2XLPV80U15A/A2	80A	●	●
2XLPV80U15B/BC		●	●
2XLPV100U15A/A2	100A	●	●
2XLPV100U15B/BC		●	●
2XLPV125U15A/A2	125A	●	●
2XLPV125U15B/BC		●	●
2XLPV160U15A/A2	160A	●	●
2XLPV160U15B/BC		●	●
2XLPV200U15A/A2	200A	●	●
2XLPV200U15B/BC		●	●
2XLPV250U15A/A2	250A	●	●
2XLPV250U15B/BC		●	●
2XLPV315U15A/A2	315A	●	●
2XLPV315U15B/BC		●	●
2XLPV350U15A/A2	350A	●	●
2XLPV350U15B/BC		●	●
2XLPV400U15A/A2	400A	●	●
2XLPV400U15B/BC		●	●

- A- 触刀安装带中央指示器 blade contacts with the center indicator
- A2- 触刀安装带中央指示器和顶部指示器 blade contacts with the central indicator and the top indicator
- B- 螺栓连接 bolted connections
- BC- 螺栓连接带微动开关底座 bolted connections with microswitch base
- A、A2-optional 可选择
- B、BC-optional 可选择

U15 DENOTES FOR 1500V DC U15 表示 1500V DC
 ● DENOTES FOR APPROVAL ● 表示已取得安全认证
 ○ DENOTES FOR PENDING ○ 表示正在申请安全认证

PART NO. 目录编号	Optional Accessory 可选配件	
	Fuse Holders 熔断器座	Microswitches 微动开关
2XLPVXXU15A	NH3LBU15	/
2XLPVXXU15A2	NH3LBU15	HMT-01
2XLPVXXU15BC	/	HMC-01

NH2XLPV 1500V 平均 I-T 曲线图 (仅供参考)

AVERAGE I-T CHARACTERISTICS CURVE
(FOR REFERENCE ONLY)

